

**VAR-EXT-HDMI**



**CONTENT**

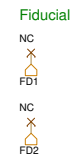
PAGE NO.	SCHEMATIC PAGE
1	Cover
2	Block Diagram
3	HDMI Out

**Disclaimer:**

Schematics are for reference only.  
 Variscite LTD provides no warranty for the use of  
 these schematics.  
 Schematics are subject to change without notice.

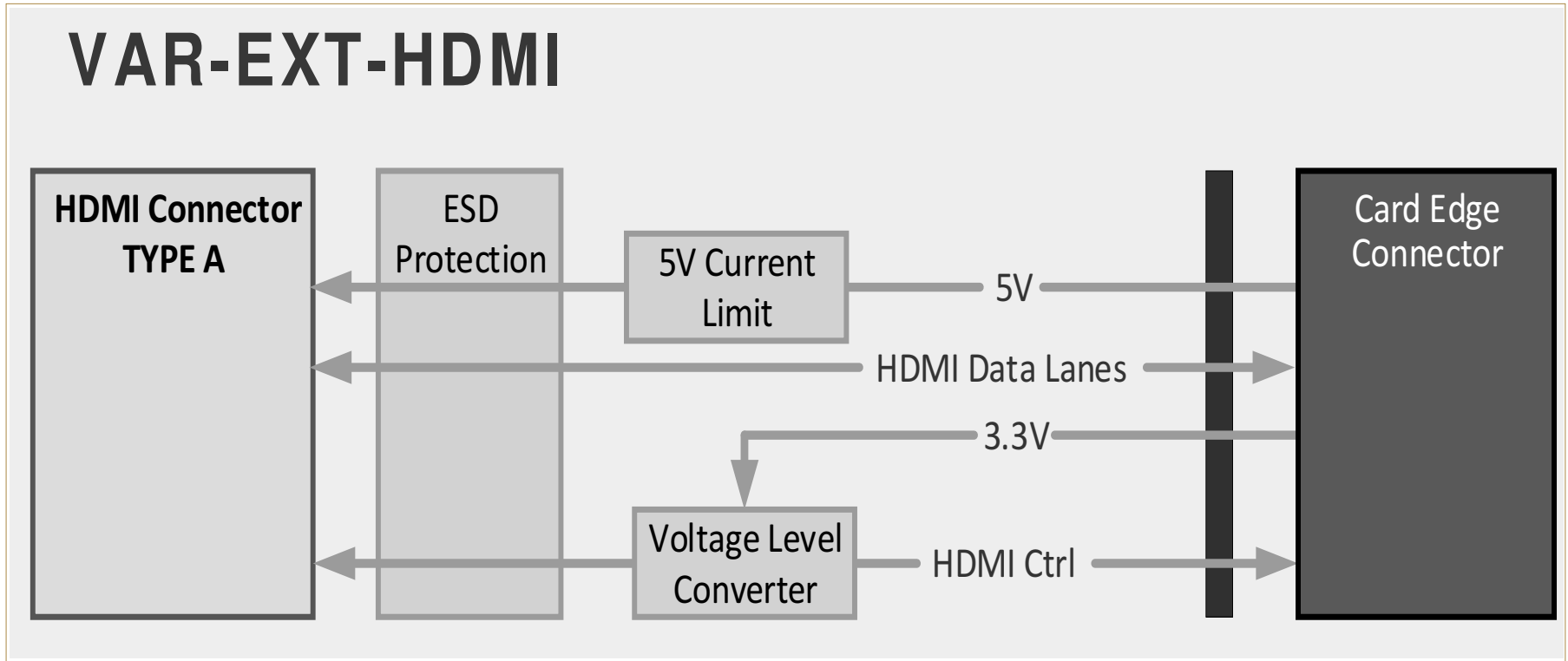
**Revision History**

Document	Carrier	
1.0	1.0	Initial
1.1	1.1	HDMI companion chips is EOL. Replaced with simple ESD devices and level converter
1.2	1.1A	R2, R3 Not Assembled



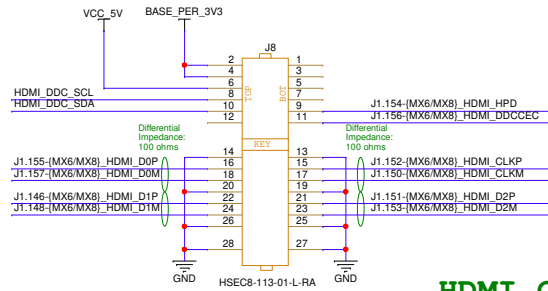
Title 01. Cover			
Size A3	Document Number VAR-EXT-HDMI	Project VAR-EXT-HDMI	Rev 1.1A
Designer: Aviad H.		Approved By:	
Date: Sunday, February 07, 2021		Sheet 1 of 3	

## 02. Block Diagram

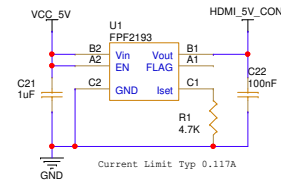


# 03. HDMI Out

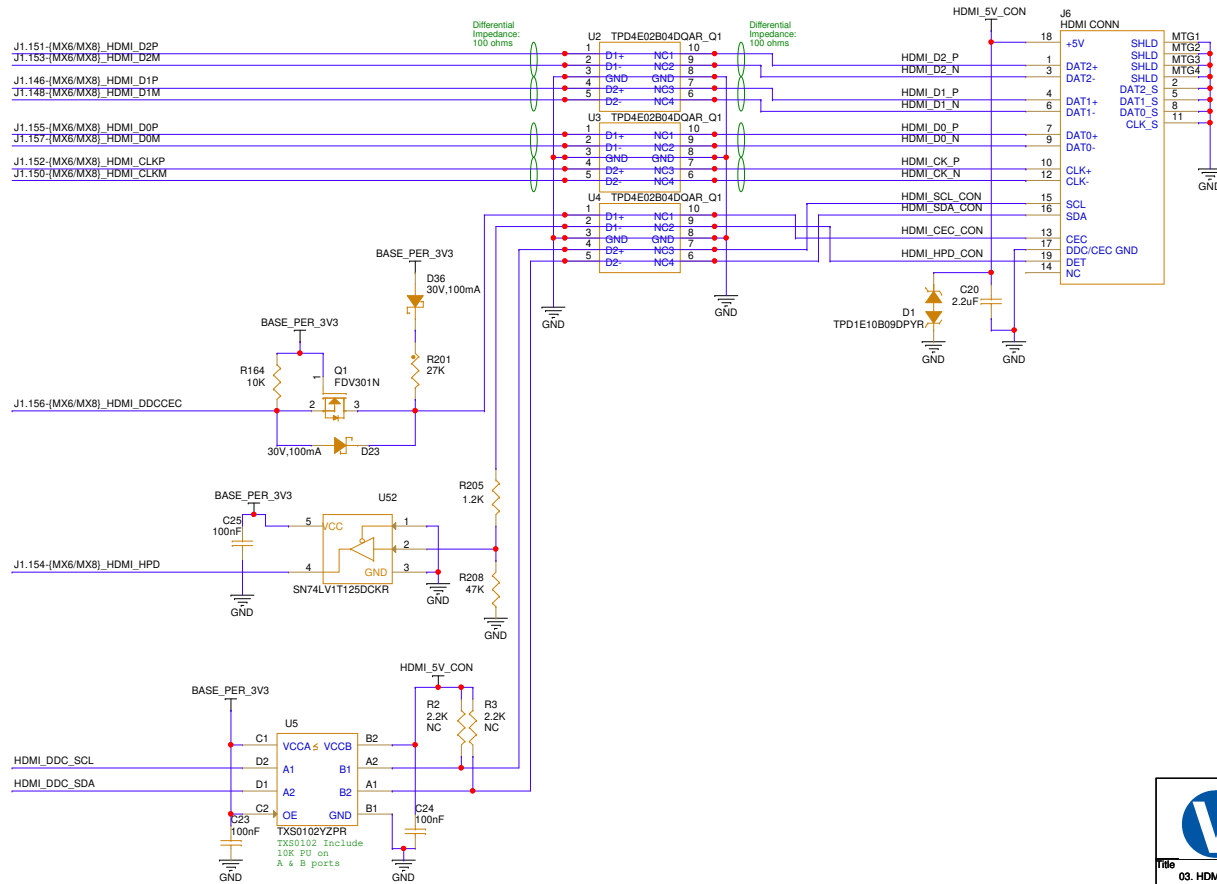
## MX6/MX8-HDMI



## HDMI POWER



## HDMI OUT PORT



**03. HDMI Out**  
 Title  
 Size A3 Document Number VAR-EXT-HDMI Project VAR-EXT-HDMI Rev 1.1A  
 Designer: Aviad H. Approved By: <Approved By>  
 Date: Sunday, February 07, 2021 Sheet 3 of 3